



ASSEMBLY INSTRUCTIONS

Stackable Racks

Questions?

Toll free 1-888-373-6057 x 2

ASSEMBLY INSTRUCTIONS

For all Stackable models **WRA4180 & WRA4181** 18 Bottle
WRA4360 & WRA4361 36 Bottle
WRA4540 & WRA4541 54 Bottle
WRA4720 & WRA4721 72 Bottle



Thank you and CONGRATULATIONS on your purchase. Properly assembled, your racking will beautifully enhance your wine collection for many years to come. To assemble, please check to ensure all necessary parts are included and follow the assembly instructions closely. If you have any questions or problems please call customer service toll free 1-888-373-6057 Monday - Friday 7:00 am to 5:00 pm MST. Or, visit us on the web at www.wineracksamerica.com



Planning to stain?

For best results we recommend you stain or finish your racking BEFORE assembly

Tools for assembly:



Phillips screwdriver



Cordless drill



1/16" pilot hole bit (optional)

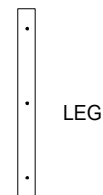
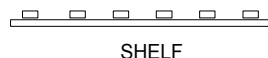
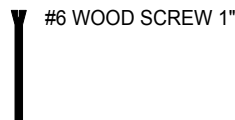
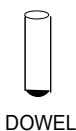


Utility knife



Rubber mallet

PARTS LIST:



Please verify that you have the correct number of parts before proceeding. Depending on the model you purchased, your bundle should contain the following:

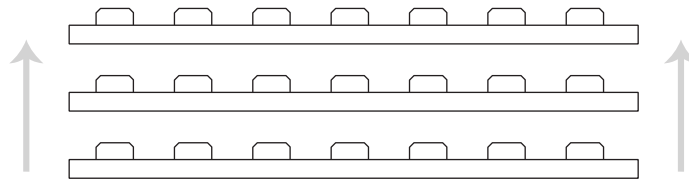
PACKAGE CONTENTS

Model	Shelves	Legs	Dowels	#6 Screws
WRA4180	3	4	4	12
WRA4181	3	4	4	12
WRA4360	6	8	4	24
WRA4361	6	8	4	24
WRA4540	9	12	8	36
WRA4541	9	12	8	36
WRA4720	12	16	12	48
WRA4721	12	16	12	48

To correct any packaging errors please contact customer support@wineracksamerica.com

1. Find an open, flat area in which to work. Carefully remove all components from the box and remove banding with a utility knife. Check the parts list above for package contents.
2. Orient each shelf on the floor with all of the bottle supports facing the same direction. (See Figure 1)

figure 1



3. Align 2 notched legs face down on the edges of the shelves. Each leg is universal. Simply line up the notches and place the outside edges flush with each shelf. Drill a 1/2" pilot hole through the pre-drilled holes and into the shelf edge. Attach each leg by driving screws carefully flush with the front of the leg. (see figure 2)
4. Flip and repeat step three. (see figure 3)

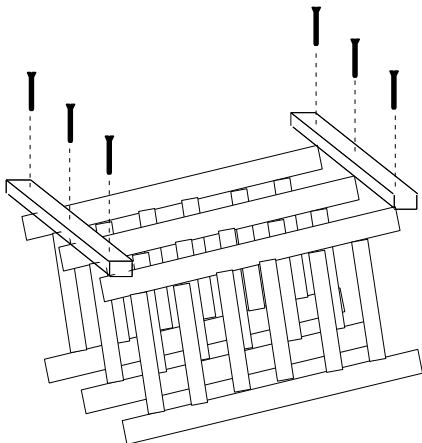


figure 2

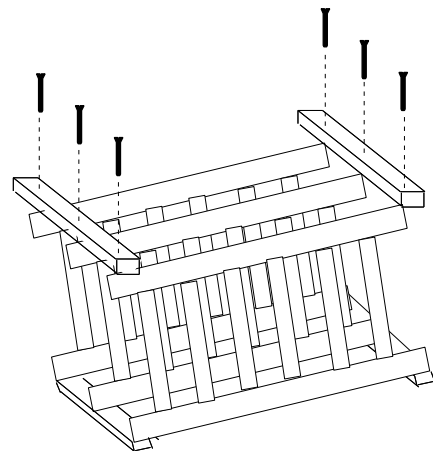


figure 3

5. Insert dowels

If you are stacking multiple units, insert 1 dowel into the hole on top of each leg. Use a rubber mallet or hammer to sink the dowel securely. (see figure 4)

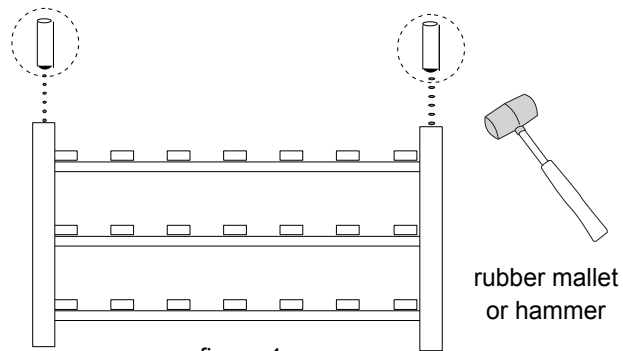


figure 4

6. Stack

Align the leg holes on the top rack with the dowels in the bottom. Carefully tap the top rack with your mallet to seat all the dowels firmly into the rack above it. Repeat this for each stackable unit in your configuration. (see figure 5)

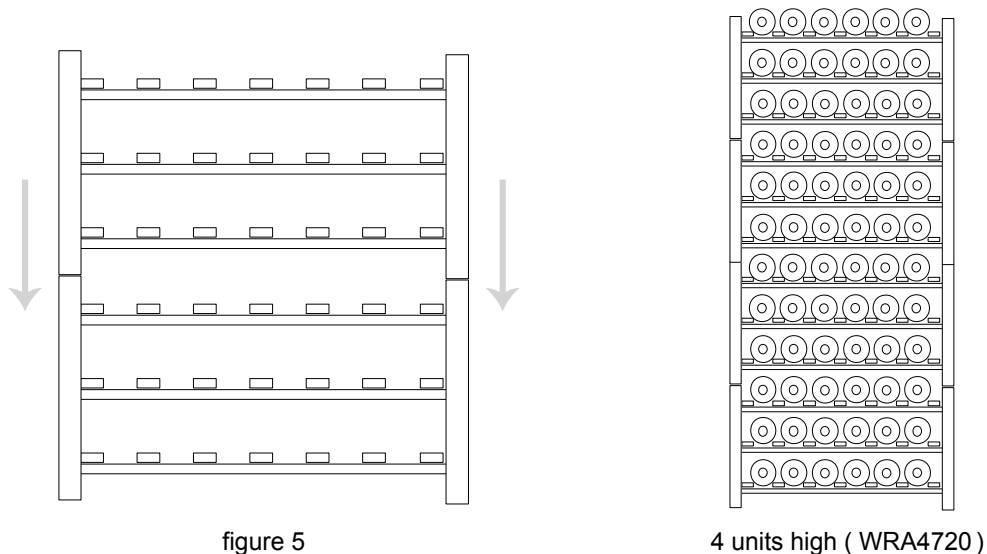


figure 5

4 units high (WRA4720)



WINE RACKS AMERICA

360 N 700 W suite F • North Salt Lake, UT 84054

(toll free) 888-373-6057

(fax) 801-936-0534

WineRacksAmerica.com

Once again thank you for your business. Remember, customer service is available to answer your questions M-F 7:00 am - 5:00 pm MST. Please feel free to contact us for any wine storage need.