



ASSEMBLY INSTRUCTIONS

Table Top Wine Racks

WRA2240, WRA2360, WRA2480 - Pine

WRA2241, WRA2361, WRA2481 - Redwood

Questions?

Toll free 1-888-373-6057 or visit WineRacksAmerica.com



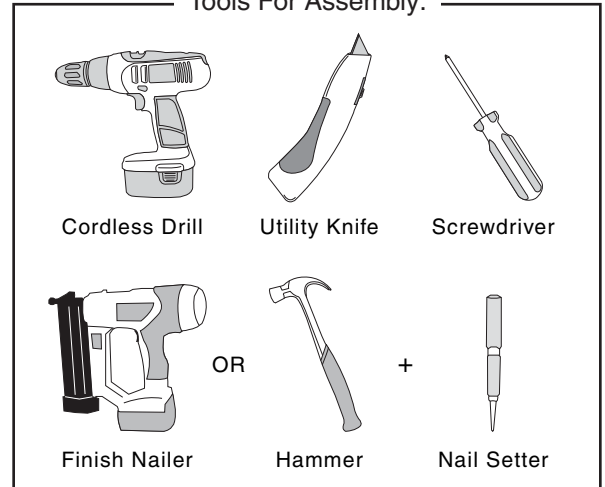
Thank you and CONGRATULATIONS for purchasing this quality product. Properly assembled, your racking will beautifully enhance your wine collection for many years to come. To assemble, please check to ensure all necessary parts are included and follow the assembly instructions closely. If you have any questions or problems please call customer service toll free 1-888-373-6057 Monday through Friday 7:00 am - 5:00pm MST.



Planning to stain?

For best results we recommend you stain or finish your racking BEFORE assembly.

Tools For Assembly:

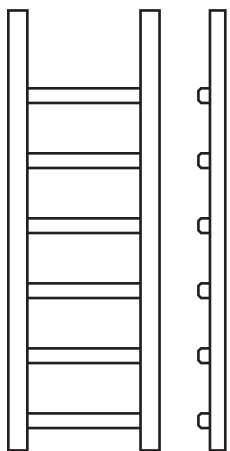


The instructions pictured are for the WRA2360 rack. Follow the same steps for all Table Top Wine Racks.

PARTS LIST

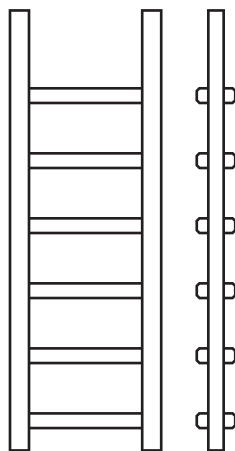
PARTS ARE NOT TO SCALE

SIDE LADDER ASSEMBLIES



Front View

MIDDLE LADDER ASSEMBLIES



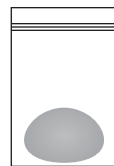
Front View



1 1/4" WOOD SCREWS

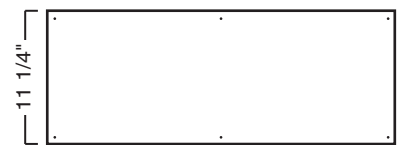


FINISH NAILS

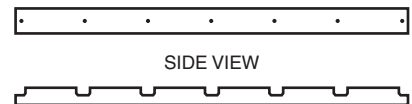


SMALL BAG OF WOOD PUTTY

SOLID WOOD TOP

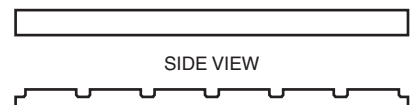


STANDARD COLUMN CONNECTORS



SIDE VIEW

SCREWLESS COLUMN CONNECTORS



SIDE VIEW

PACKAGE CONTENTS

* Please verify that you have the correct number of parts before proceeding. Depending on the model you purchased, your bundle should contain the following:

RACK	MIDDLE LADDERS	END LADDERS	STANDARD CONNECTORS	SCREWLESS CONNECTORS	SOLID TOP	1 1/4" SCREWS	FINISH NAILS
48 bottle	3	2	(2) 4 column	(2) 4 column	1	10	16
36 bottle	5	2	(2) 6 column	(2) 6 column	1	14	20
24 bottle	3	2	(2) 4 column	(2) 4 column	1	10	16

* All models follow the same assembly procedure - varying only in the number of middle ladders your rack will require.

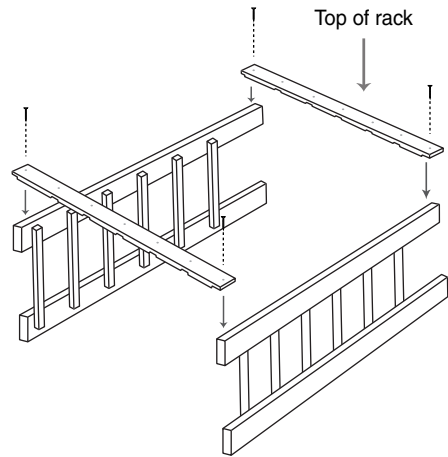
* PLEASE FOLLOW WRITTEN INSTRUCTIONS CAREFULLY

1. Find an open, flat area in which to work. Carefully remove all components from the box and remove banding with a utility knife. Check the parts list to verify package contents.

2. Arrange the side ladders on the floor so that the bottle support pieces face one another. Align the large gaps on each side ladder. **The end with the larger gap is the top of your rack.** Attach a standard column connector to the top and bottom of your rack using the 1 1/4" screws provided.

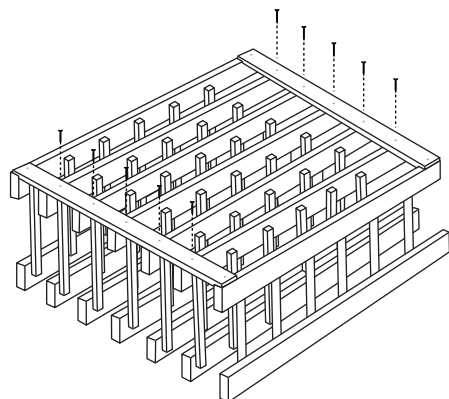
Make sure that the upper connector is flush with the top of your rack and the lower connector is flush with the bottom of your rack. (figure 1)

* Minimize the risk of splitting your side ladders by drilling a 1/16" pilot hole before driving the wood screws. For best results, drive the screw most of the way in with your drill, then finish tightening by hand.



1 BEGIN WITH BACK OF RACK

3. Insert the middle ladders and finish securing the top and bottom standard connectors using the 1 1/4" screws provided. **This will be the back of your rack.** (figure 2)



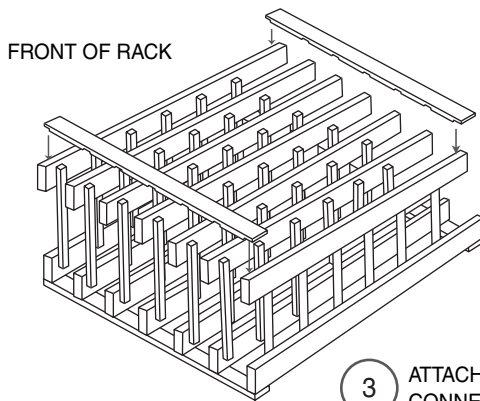
2 FINISH SECURING BACK CONNECTORS

- Flip rack over and attach two screwless column connectors to the front of your rack. The upper connector should be flush with the top of the rack and the lower connector should be flush with the bottom of the rack. Make sure the rack is flat on the floor while attaching the screwless connectors. (figure 3)

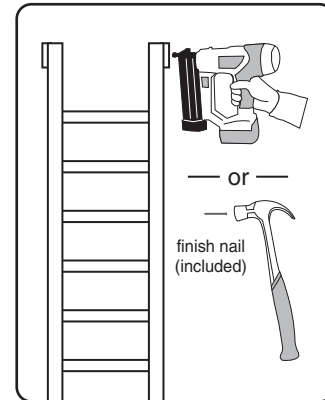
Secure the screwless connectors using a finish nail gun to drive a finish nail through the connector into each vertical ladder. (figure 4)

If you do not have a finish nail gun, drive one of the provided finish nails into each vertical ladder until it is flush. Then, countersink the nail using a nail setter until the head of the nail is about 1/16" below the surface of the wood.

- Fill the nail holes using the wood putty provided. Simply push the putty into each hole using your thumb and wipe excess putty off the surface using a damp cloth.



3 ATTACH SCREWLESS CONNECTORS

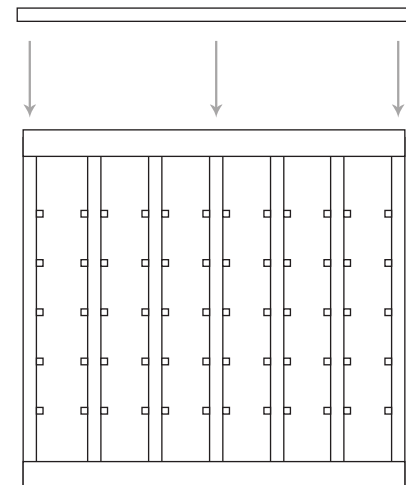


4 SECURE WITH FINISH NAILS

- Stand the rack upright and attach the solid top.

Center the top on the rack so that the pre-drilled nail holes line up with the center ladder and the left and right side ladders. (figure 5)

- Secure the top by using a hammer to drive a finish nail into each pre-drilled nail hole until it is flush with the top. Then, countersink the nail using a nail setter until the head of the nail is about 1/16" below the surface of the wood.
- Fill the nail holes using the wood putty provided. Simply push the putty into each hole using your thumb and wipe excess putty off the surface using a damp cloth.



5 ATTACH THE SOLID TOP

- That's it! Enjoy this beautiful rack with your favorite beverage. Pair with other rack styles for an ultimate cellar storage look.



WINE RACKS AMERICA

360 N 700 W suite F • North Salt Lake, UT 84054
(toll free) 888-373-6057
(fax) 801-936-0534

WineRacksAmerica.com

Thank you for your business. Remember, customer service is available to answer your questions M-F 7:00 am - 5:00 pm MST. Please feel free to contact us for any wine storage need.