



# ASSEMBLY INSTRUCTIONS

## Individual Wine Cubes

WRA7240, WRA7480, WRA7960 - Pine

WRA7241, WRA7481, WRA7961 - Redwood

Questions?

Toll free 1-888-373-6057 or visit [WineRacksAmerica.com](http://WineRacksAmerica.com)



Thank you and CONGRATULATIONS for purchasing this quality product. Properly assembled, your racking will beautifully enhance your wine collection for many years to come. To assemble, please check to ensure all necessary parts are included and follow the assembly instructions closely. If you have any questions or problems please call customer service toll free 1-888-373-6057 Monday through Friday 7:00 am - 5:00pm MST.

### Tools For Assembly:



### Planning to stain?

For best results we recommend you stain or finish your racking BEFORE assembly.

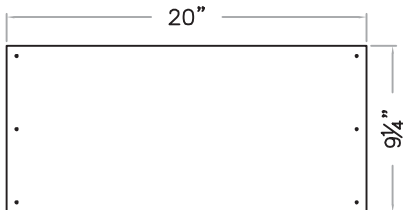
**!** The instructions pictured are for the 24 Bottle Wine Cube Rack. If you ordered the 48 Bottle or 96 Bottle Wine Cube Collection, please follow the same instructions for your remaining cubes.

\* The 48 Bottle Wine Cube Collection has a total of 2 cubes and the 96 Bottle Wine Cube Collection has a total of 4.

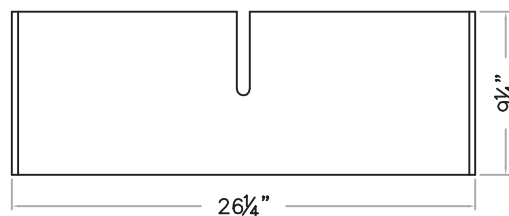
## PARTS LIST

PARTS ARE NOT TO SCALE

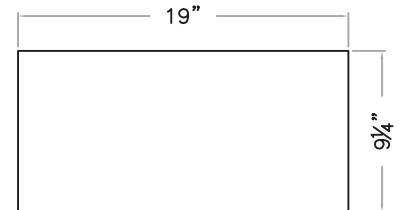
TOP & BOTTOM FRAME PIECE



MIDDLE "X" PIECE



SIDE FRAME PIECE



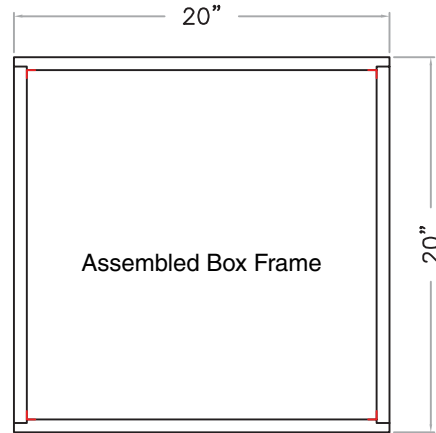
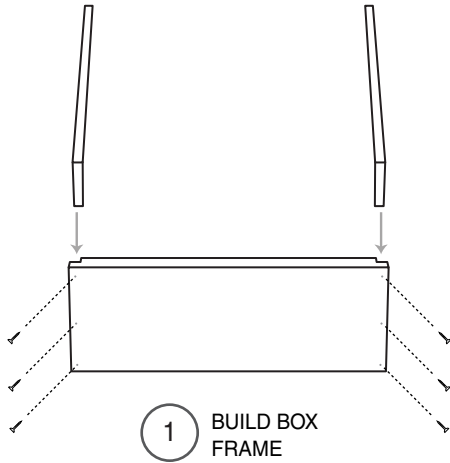
## PACKAGE CONTENTS

\* Please verify that you have the correct number of parts before proceeding. Depending on the model you purchased, your bundle should contain the following:

RACK	TOP/BOTTOM FRAME PIECE	SIDE FRAME PIECE	MIDDLE "X" PIECE	1 1/4" WOOD SCREWS
WRA7240	2	2	2	12
WRA7241	2	2	2	12
WRA7480	4	4	4	24
WRA7481	4	4	4	24
WRA7960	8	8	8	48
WRA7961	8	8	8	48

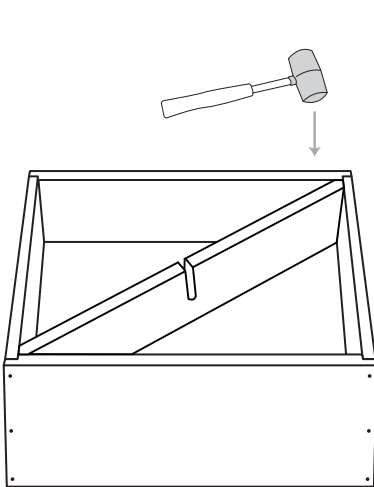
1. Find an open, flat area in which to work. Carefully remove all components from the box and remove banding with a utility knife. Check the parts list to verify package contents
2. Using the included hardware, screw both side frame pieces into the notch on the bottom frame piece. Once attached repeat the process for the top frame piece. (figure 1)

\* Minimize the risk of splitting the wood by drilling a 1/16" pilot hole before driving the wood screws. For best results, drive the screw most of the way in with your drill, then finish tightening by hand.

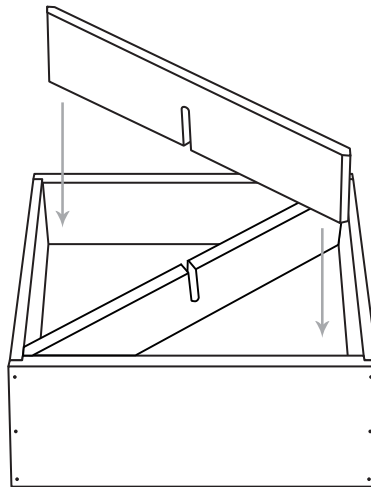


3. Lay the assembled frame flat on the ground. Insert the first Middle "X" piece into the assembled frame with the notch facing upward. The ends of the "X" piece should fit snugly into the corners of the frame. (figure 2)
4. Insert the remaining "X" piece into the frame by matching up the notches and sliding down into place. (figure 3)

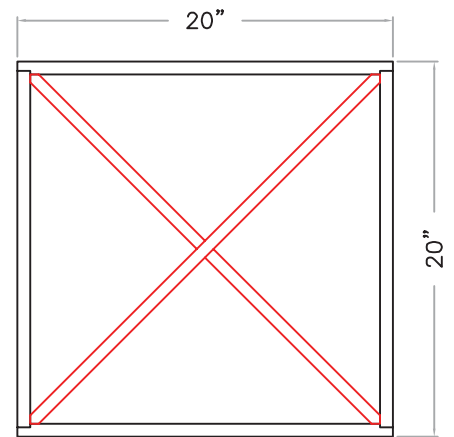
\* DO NOT FORCE! Carefully work the "X" pieces into place until they settle flush with the frame. If necessary, Use a rubber mallet to lightly tap it into place.



2 INSERT FIRST "X" PIECE



3 INSERT SECOND "X" PIECE



5. Stand your rack upright and that's it! Repeat this assembly process for any remaining cubes. Stack cubes in any configuration you like once they are assembled.



**WINE RACKS AMERICA**

360 N 700 W suite F • North Salt Lake, UT 84054  
(toll free) 888-373-6057 • (fax) 801-936-0534

Thank you for your business. Remember, customer service is available to answer your questions M-F 7:00 am - 5:00 pm MST. Please feel free to contact us for any wine storage need.